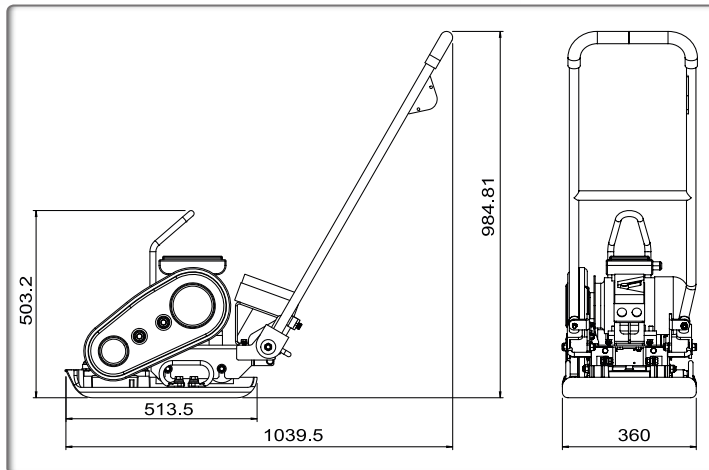


Electric Forward vibratory plate with low weight, a perfect rental machine.

For compaction of sand, gravel, rock fill and paving stones with lowest maintenance and operating costs.

PACLITE EPC60-EPOWER, 65 kg vibratory plate with compact, robust design, powered by a single-phase electric motor that plugs into a grounded wall outlet. Since the motor emits no exhaust fumes, the machine can be used in poorly ventilated spaces as well as indoors.

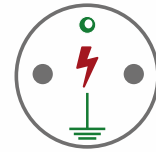
This machine is suitable for smaller jobs, such as modifying the subsurface for pavers. With elastomer paving, it can compact paved areas efficiently for an even surface. The machine can cope with the toughest of jobs since parts of the motor and transmission are fully enclosed in a rugged casing. Excentric element has permanently lubricated bearings.



FEATURES AND BENEFITS

- Low weight, easy to transport.
- Transport wheels included.
- Low operating costs.
- OPTION: PAVING PAD/Code PPV-PAD60.

Powered by
ABB



OPTION : PAVING PAD

| Code | PPV-PAD60 |
|--|---------------------------------|
| Code | EPC60 |
| Model | EPC60-E-POWER |
| Weight (kg) | 65 |
| Centrifugal force (kN) | 11 |
| Width (mm) | 360 |
| Motor | ABB Electric single phase 230 V |
| Engine output (kW) | 1,1 |
| Working speed (m/min) | 25 |
| Sound power level (ISO 5349) dB (A) | 90 |
| Vibrations* (m/s ²) | 3,9 |
| * Minimum vibration levels measured to EN500-4 | |
| Certified power SAE J 1349 | |