

SPM-Surface Grinder

PACLITE scarifiers and tools have been well known for years but sold by our customers under other brands.

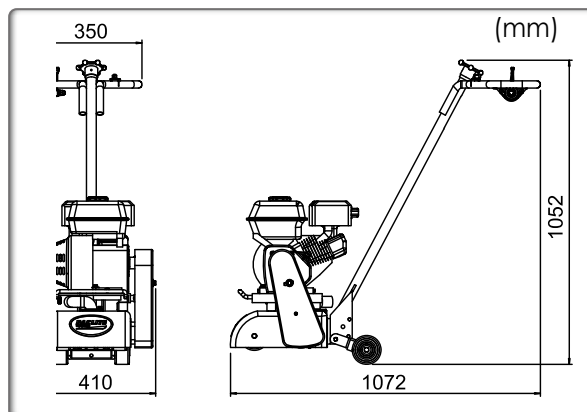
The design combines strong fabrication with heavy-duty performance.

This technique is meant for a deeper removal of material. It is ideal for the complete floor renovations of production halls, factories, farm buildings, parking lots and many other large utility buildings on both upper floor and underground levels.

FEATURES AND BENEFITS

- Etching, cleaning, paint removal on any surface.
- Can be used to remove glues, rubber and more difficult coatings.
- Ideal for road marking removal.
- Levelling of uneven concrete floors.
- Compact and easy to manoeuvre.
- Deep and precise milling of concrete, resin, asphalt.

Code	SPM1	SPM230	SPM115
Model	SPMH	SPME	SPME
Dimensions L x W x H (mm)	900 x 410 x 1110	900 x 410 x 1110	900 x 410 x 1110
Working width (mm)	203	203	203
Weight (kg)	66	66	66
Working depth (mm)	3	3	3
Working capacity (m ² /h)	30-46	30-46	30-46
Engine	Honda GX160	Electric 230 V	Electric 115 V
Net Power hp (kW)	4,8 (3,6)	-16 A	- 50 Hz (UK & Ireland)
Max. speed engine (rpm)	3600	4000	4000
Fuel tank capacity (L)	6,1	-	-
Engine oil capacity(L)	0,6	-	-
Fuel consumption at rated power (L/h - rpm)	1,4 - 3600	-	-
Certified power SAE J 1349			



Code	Model
SPM1-070400-6	Point TC cutter (total 76 needed 8 mm high Tungsten) full set
SPM -FN W12 TC	Cutter shims (total 88 pieces needed)



COMPACT

MOBILE EQUIPMENT

CONCRETE EQUIPMENT

SURFACING

CUTTING - GRINDING